

AMMOCONTROL

Digital Counter
for BERETTA 92 FS



PACKAGE CONTENTS



AMMOCONTROL x1



Plastic support x1



Follower x2



CR 2016
Battery x2

TOOLS

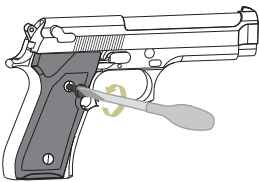
*not included



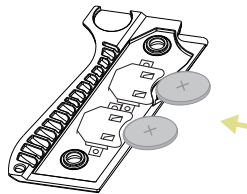
Screwdriver

ASSEMBLY · GUN

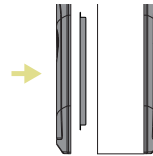
Disassemble the original grips



Assemble the batteries (Left Grip)

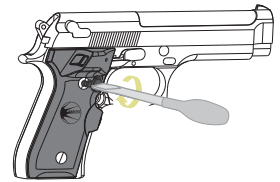


Assemble plastic support



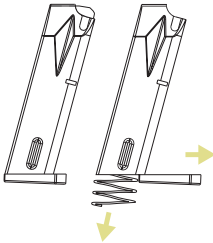
Put the plastic support between
the gun and the left grip.

Assemble AMMOCONTROL grips using original screws & washers

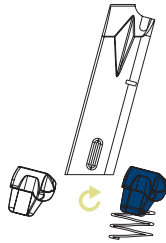


ASSEMBLY · MAGAZINE

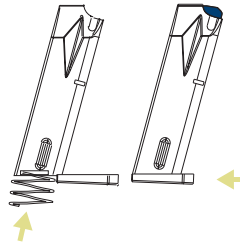
Disassemble the magazine*



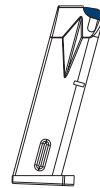
Remove the original follower



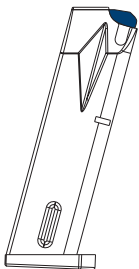
Replace it with the AMMOCONTROL follower



The system is ready to use



MAGAZINE CALIBRATION



THE CALIBRATION IS ONLY REQUIRED IF COUNT SEQUENCE IS INCORRECT.

1. ENTERING IN CALIBRATION MODE

Pushing counter button (left/right) and reset button (inside grip).

2. MAGAZINE

Load 15 cartridges in the magazine.

3. GUN

Load a cartridge in the chamber.

4. FIRE THE GUN

Shoot holding check button, keeping an interval of 2 seconds between shots.

5. EXITING CALIBRATION MODE

Automatically after last shot.

After 15 seconds timeout counting from step 1.

By pressing counter button until display shows 0.

*The device only works with original Beretta magazine. **The device does NOT detect round housed in the chamber. Important: Always observe the basic safety rules when handling firearms.

KNOW YOUR AMMOCONTROL

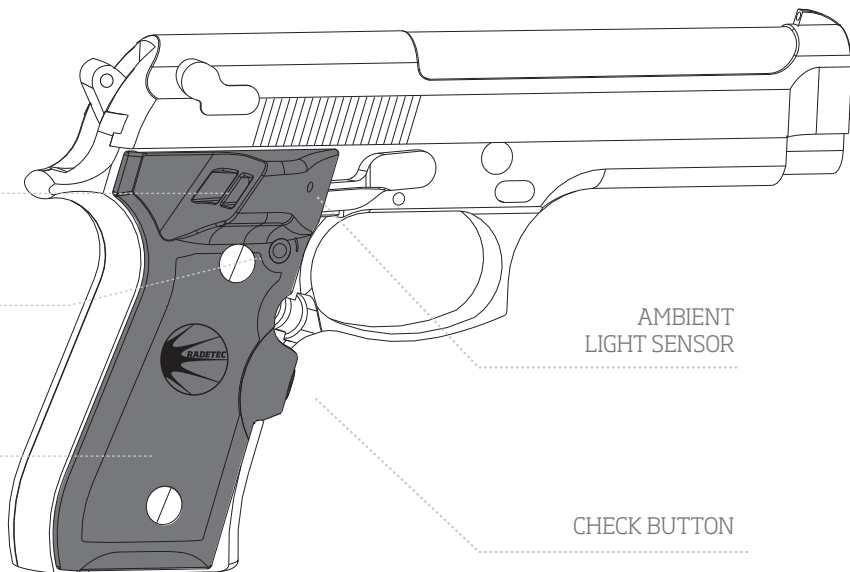
DISPLAY INDICATOR

COUNTER BUTTON
(LEFT/RIGHT)

RESET BUTTON
(INSIDE GRIP)

AMBIENT
LIGHT SENSOR

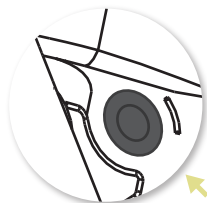
CHECK BUTTON



DISPLAY ACTIVATION EVENTS

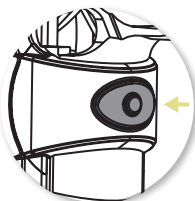
ACTIVATION

- Firing a gun.
- Pressing the check button.
- Pressing counter buttons to show the total number of shots fired.



COUNTER BUTTON

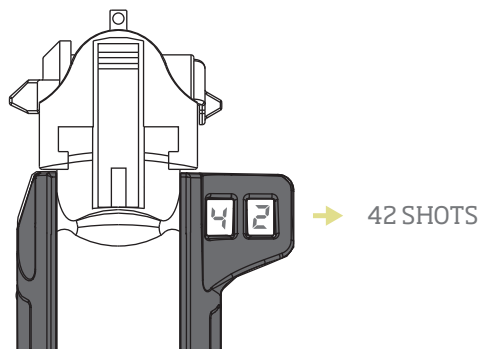
Press these buttons on both sides of the grip to show the accumulated number of shots fired.



Push the check button to know the number** of cartridges in the magazine.

Display intensity is automatically adjusted depending on ambient light.

DISPLAY EXAMPLE



Reset shot counter: push reset button.

*The device only works with original Beretta magazine.**The device does NOT detect round housed in the chamber. **Important:** Always observe the basic safety rules when handling firearms.